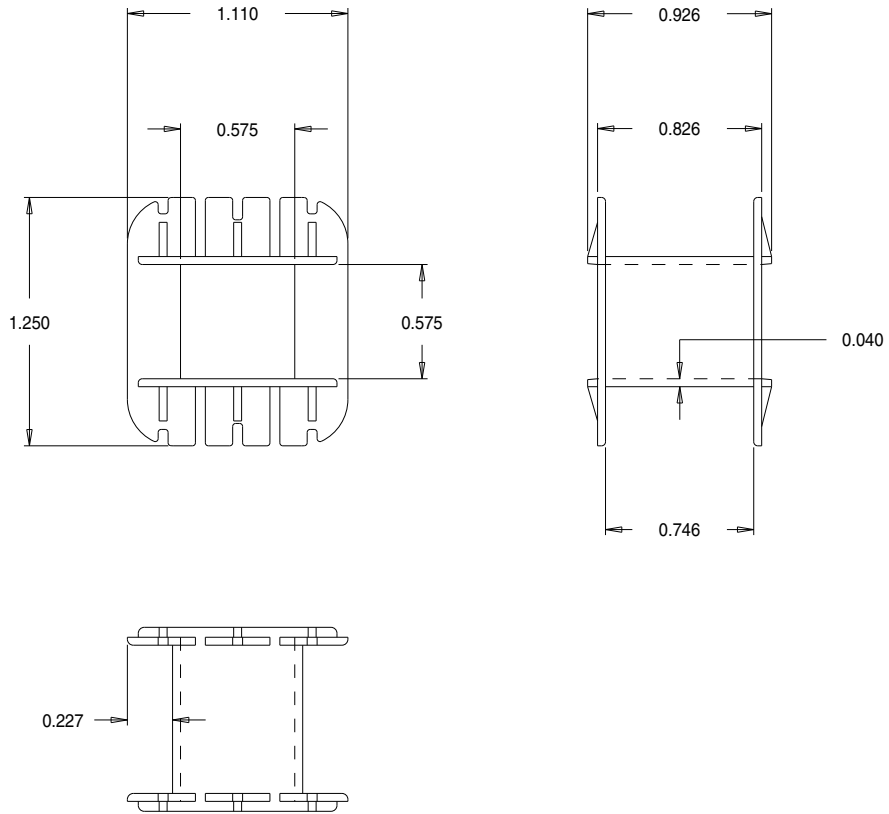


Part No K02000

18 x 9/16" Single Section 'K' Range Bobbin



Dimensions in inches.



Issue 1